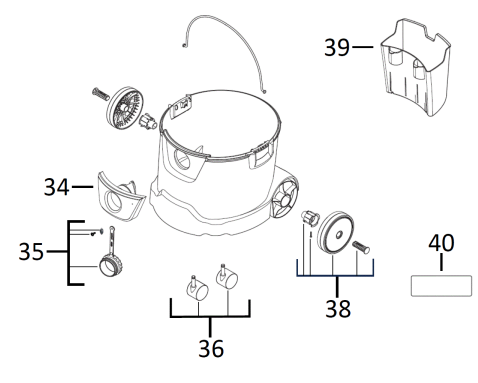
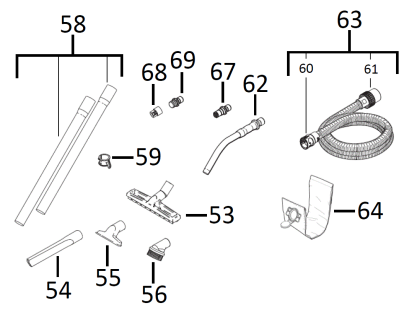
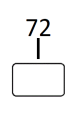
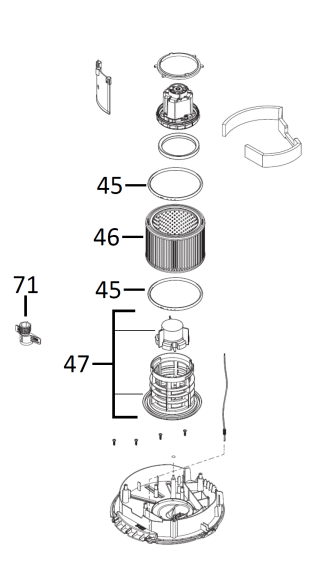
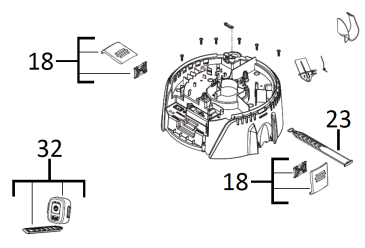
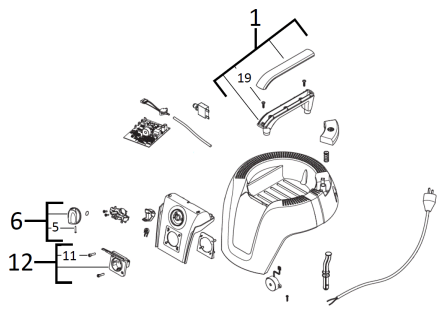


AS2-250EH AC 25L H CLASS VAC IN2

4933493595 - AS2-250EH - 4000503050





Position	Quantity	Description	Part number	EAN
0001	1	HANDLE	4931448695	4002395257102
0005	1	SCREW	4931416303	4002395797264
0006	1	KNOB	4931416119	4002395805389
0011	3	SCREW	4931448666	4002395258420
0012	1	WALL SOCKET	4931416260	4002395796458
0018	2	CLAMP	4931448673	4002395258499
0019	14	SCREW	4931448663	4002395261819
0034	1	COVER	4931506184	4058546554989
0035	1	PLUG	4931506185	4058546554996
0036	1	SET WHEEL	4931448688	4002395256440
0039	1	TANK	4931506187	4058546555016
0045	2	SEALING SLEEVE	4931506192	4058546555061
0053	1	FLOOR TOOL	4931448691	4002395256471
0054	1	NOZZLE	4931416284	4002395797097
0055	1	NOZZLE	4931416283	4002395797080
0056	1	BRUSH	4931506197	4058546555115
0058	1	TUBE	4931506198	4058546555122
0059	1	HOLDER	4931448689	4002395256457
0060	1	ADAPTER	4931461862	4058546229627
0061	1	MUFF	4931416458	4002395847167
0062	1	ADAPTER	4931416166	4002395805495
0063	1	SUCTION HOSE	4931461861	4058546229610
0067	1	MUFF	4931416173	4002395805501
0068	1	CONNECTOR	4931447294	4002395251490
0069	1	ADAPTOR / CONNECTOR	4931463999	4058546270490
0071	1	WRENCH	4931506199	4058546555139