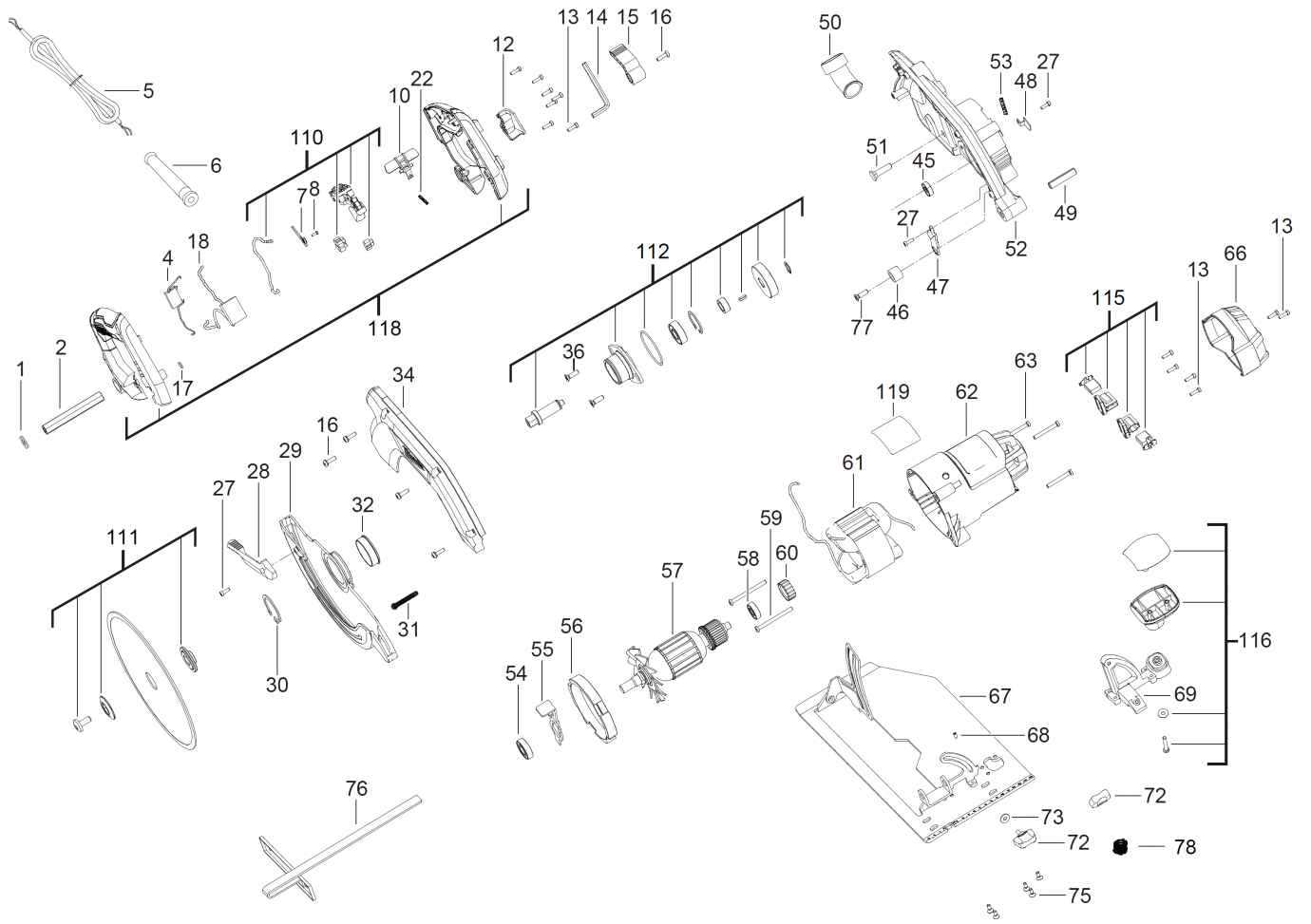


CS85SB CIRCULAR SAW IN2

4933451117 - CS85SB - 4000452690





Position	Quantity	Description	Part number	EAN
1001	1	WASHER	4931431103	4002395853694
1002	1	GUIDE BAR	4931454194	4002395285082
1004	1	CAPACITOR	4931454195	4002395285099
1005	1	POWER CORD	4931454196	4002395285709
1006	1	PROTECTING COVER	4931454198	4002395285723
1007	1	RETAINING PLATE	4931454200	4002395285747
1008	1	SCREW	5131000000	
1010	1	TRIGGER	4931454202	4002395285761
1012	1	CAP	4931454203	4002395285778
1013	13	SCREW	4931454205	4002395285792
1014	1	SCREW	4931454205	4002395285792
1015	1	KNOB	4931454207	4002395286416
1016	5	SCREW	4931454208	4002395286423
1017	1	O-RING	4931454209	4002395286430
1018	1	SOFT START	4931454210	4002395286447
1022	1	SPRING	4931454212	4002395286461
1027	3	SCREW	4931454213	4002395286478
1028	1	SWING LEVER	4931454214	4002395286485
1029	1	SAFTY GUARD	4931454215	4002395286492
1030	1	CIRCLIP	4931454216	4002395283705
1031	1	SPRING	4931454217	4002395283712
1032	1	COVER	4931454218	4002395283729
1034	1	SAFTY GUARD	4931454219	4002395283736
1036	2	SCREW	4931454220	4002395283743
1045	1	BALL BEARING	4931454221	4002395283750
1046	1	RUBBER BUFFER	4931454222	4002395283767
1047	1	COVER	4931454223	4002395283774
1048	1	COVER PLATE	5131000000	
1049	1	HOLDING PIN	4931454225	4002395283798
1050	1	DIRECT.DUST CHUTE	4931454226	4002395284405
1051	1	FASTENING BOLT	4931454227	4002395284412
1052	1	GEAR BOX ASSY	4931454228	4002395284429
1053	1	SPRING	4931454229	4002395284436
1054	1	BALL BEARING	4931454230	4002395284443
1055	1	SPINDLE LOCK	4931454231	4002395284450
1056	1	FAN HOUSING	4931454232	4002395284467
1057	1	MOTOR ASSEMBLY	4931454233	4002395284474
1058	1	BALL BEARING	4931454235	4002395284498
1059	2	SCREW	5131000000	
1060	1	BEARING BUSH	4931454237	4002395285112
1061	1	ELECTRIC FIELD	4931454238	4002395285129
1062	1	HOUSING	5131000000	
1063	3	SCREW	4931454241	4002395285150
1066	1	END COVER CAP	4931454242	4002395285167
1067	1	BASE PLATE	4931454243	4002395285174
1068	1	SCREW	4931454244	4002395285181
1069	1	EXT. W. STOP GAUGE	5131000000	
1072	2	LOCK BOTTON	4931454246	4002395285808
1073	1	WASHER	4931454247	4002395285815
1075	5	SCREW	4931454248	4002395285822

Position	Quantité	Désignation	Référence	EAN
1076	1	GUIDE	4931454249	4002395285839
1077	1	SCREW	4931454250	4002395285846
1078	1	SPRING	4931454251	4002395285853
1110	1	SWITCH	4931454252	4002395285860
1111	1	FLANGE	4931454253	4002395285877
1112	1	SPINDLE LOCK	4931454254	4002395285884
1115	1	CARBON BRUSH	4931454255	4002395285891
1116	1	AUXILIARY HANDLE	5131000000	
1118	1	PAIR HANDLE SHELLS	4931454257	4002395286515
1119	1	RATING PLATE	4931454258	4002395286522