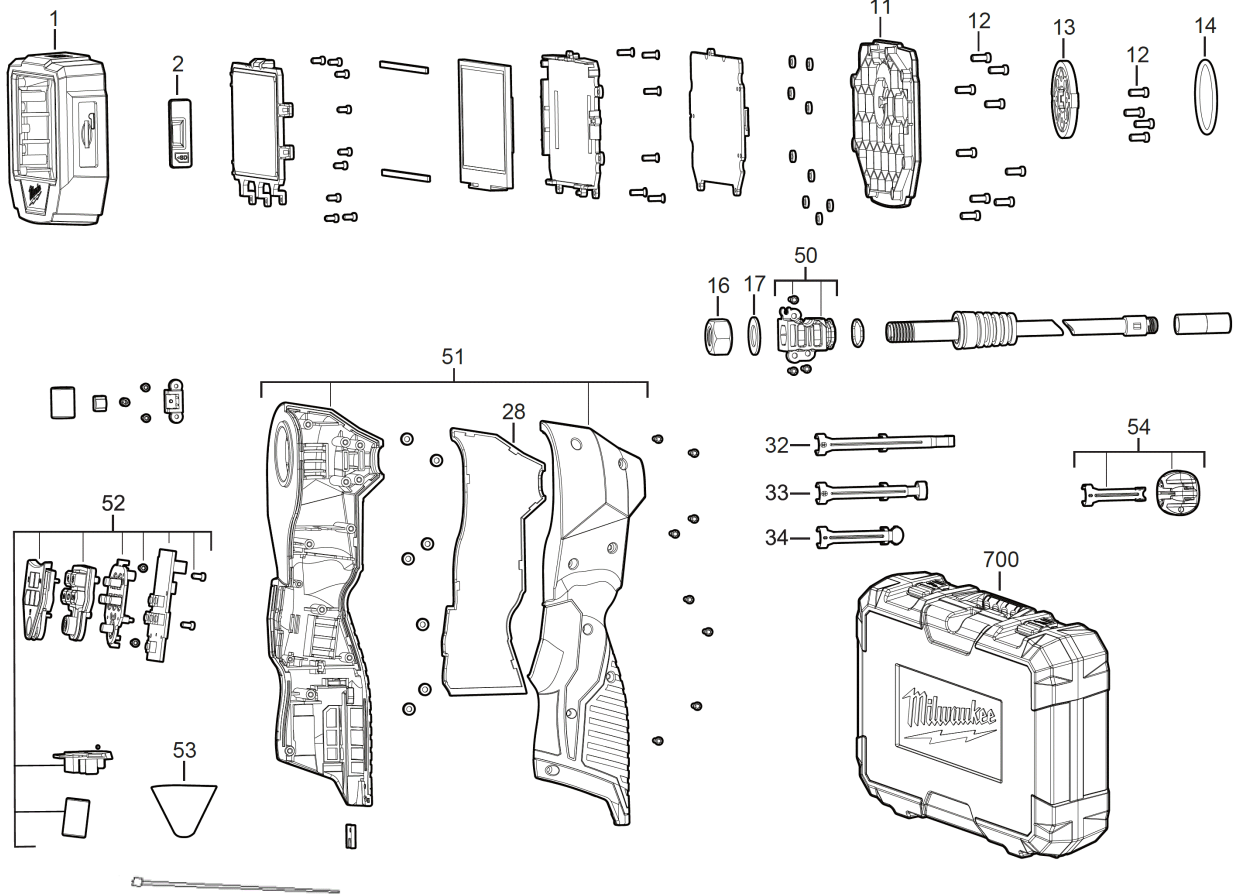


# M12360IC32-0C INSPECTION CAMER 3M XXX

4933480741 - M12360IC32-0C - 4000481534





Position	Quantity	Description	Part number	EAN
0001	1	HOUSING	4931495165	4058546488338
0002	1	PAD	4931495166	4058546488345
0011	1	HOUSING	4931495167	4058546488352
0012	1	SCREW	4931495168	4058546488369
0013	1	STOPPER	4931495169	4058546488376
0014	1	O-RING	4931495170	4058546488383
0016	1	NUT	4931495171	4058546488390
0017	1	WASHER	4931495172	4058546488406
0028	1	HOUSING	4931495173	4058546488413
0032	1	CLIP	4931494949	4058546486174
0033	1	CLIP	4931494950	4058546486181
0034	1	CLIP	4931494948	4058546486167
0050	1	HOLDER	4931495174	4058546488420
0051	1	HOUSING	4931495175	4058546488437
0052	1	PUSH BUTTON	4931495176	4058546488444
0053	1	RATING PLATE	4931495179	4058546488475
0054	1	CLIP	4931494951	4058546486198
0700	1	CARRYING CASE	4931495178	4058546488468