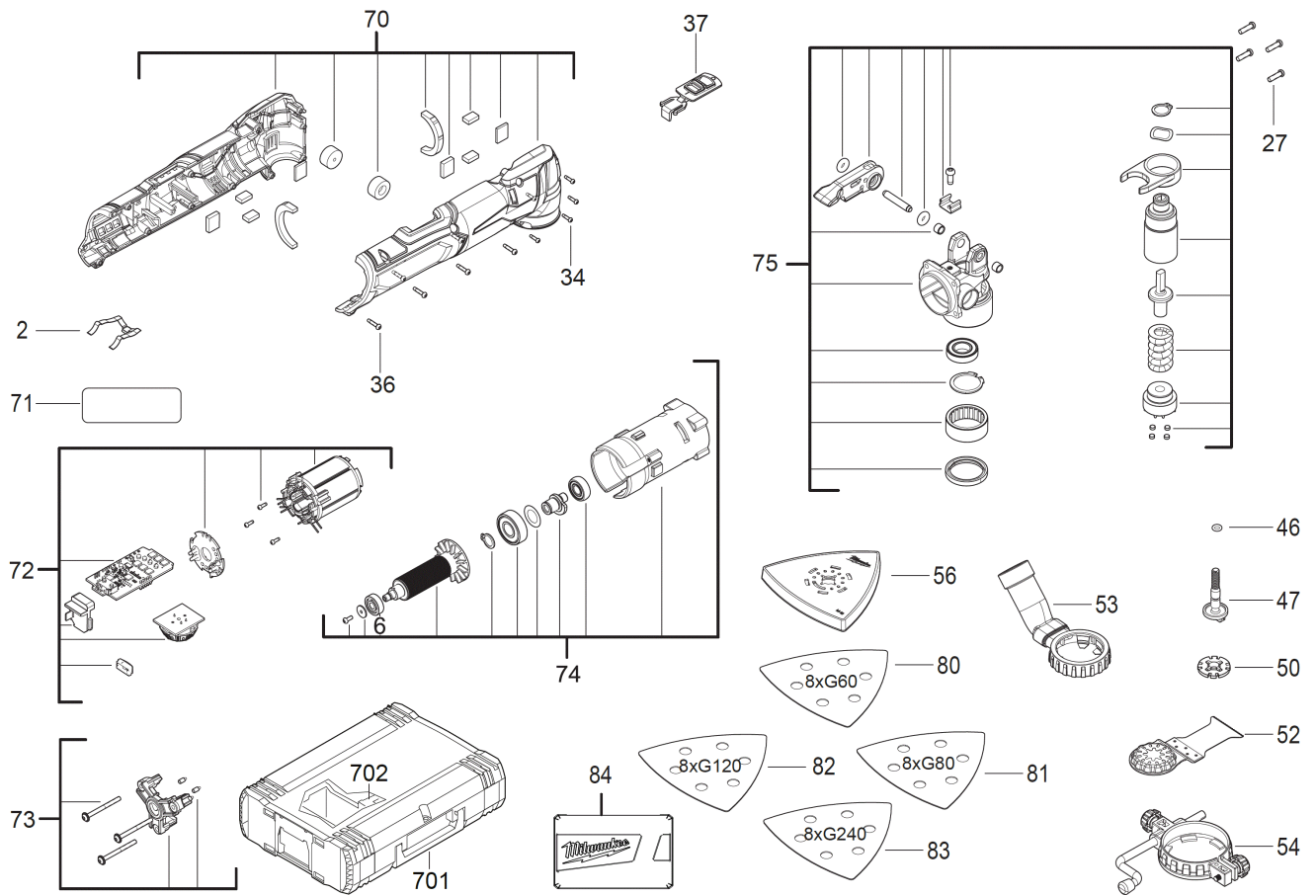


M12FMT-422X FUEL M12 MULTITOOL IN2

4933472239 - M12FMT-422X IN2 - 4000477385





Position	Quantity	Description	Part number	EAN
0002	1	SPRING ELEMENT	633680001	4002395849413
0006	1	BALL BEARING	4931465987	4058546272043
0027	4	SCREW	4931465883	4058546239831
0034	5	SCREW	4931447534	4002395882823
0036	6	SCREW	660570005	4002395827329
0037	1	SLIDER	4931473391	4058546352677
0046	1	O-RING	4931473392	4058546352684
0047	1	FASTENING BOLT	4931473393	4058546352691
0050	1	ADAPTER DISC	4931473394	4058546352707
0052	1	BLADE	4931473395	4058546352714
0053	1	DUST EXTR.CONNECTOR	4931473396	4058546352721
0054	1	DEPTH GAUGE	4931473397	4058546352738
0056	1	GRINDING DISK	4931447574	4002395882960
0070	1	HOUSING	4931473398	4058546352745
0071	1	RATING PLATE	4931473399	4058546352752
0072	1	ELECTRONIC	5131000000	
0073	1	BEARING END PLATE	4931473401	4058546352776
0074	1	ROTOR	4931473402	4058546352783
0075	1	GEAR BOX	4931473403	4058546352790
0084	1	TOOL BOX	4931473404	4058546352806
0702	1	INSERT	4931479059	4058546366278
0080	1	Sand Paper D HL 93x93/6 G60-8pc	48902060	45242349166
0081	1	Sand Paper D HL 93x93/6 G80-8pc	5131000000	
0082	1	Sand Paper D HL 93x93/6 G120-8pc	48902120	45242349135
0083	1	Sand Paper D HL 93x93/6 G240-8pc	5131000000	
0701	1	HD Box 1 - 1pc	4932453385	4002395146376