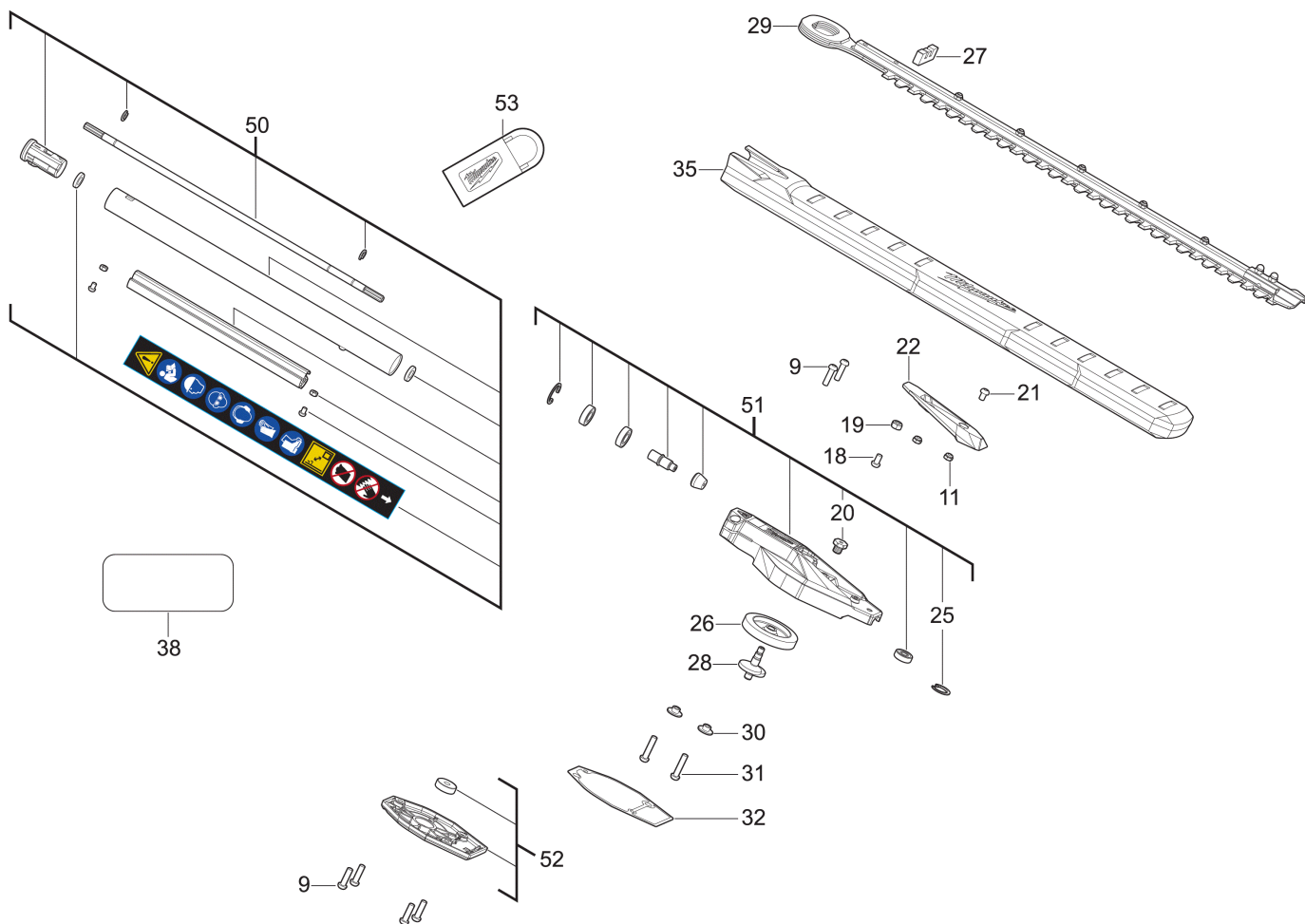


M18FOPH-SHTA ATTACHMENT XXX

4932492666 - M18FOPH-SHTA - 4000503060





Position	Quantity	Description	Part number	EAN
0009	6	SCREW	4931466683	4058546279004
0011	2	NUT	4931461710	4058546039431
0018	1	SCREW	4931466691	4058546279080
0019	1	NUT	661348001	4002395849895
0020	1	SCREW	4931494333	4058546469054
0021	1	SCREW	4931466677	4058546278946
0022	1	COVER	4931496122	4058546532598
0025	1	MOUNTING RING	4931495412	4058546490805
0026	1	BEVEL GEAR	4931496123	4058546532604
0027	1	SEAL	4931496124	4058546532611
0028	1	CRANKSHAFT	4931496125	4058546532628
0029	1	BLADE	4931466896	4058546281137
0030	2	BUSHING	4931496126	4058546532635
0031	2	SCREW	4931480330	4058546423452
0032	1	SEAL	4931496127	4058546532642
0035	1	SHAFT	4931496128	4058546532659
0038	1	RATING PLATE	4931496129	4058546532666
0050	1	TUBE	4931496130	4058546532673
0051	1	GEAR CASE	4931496131	4058546532680
0052	1	GEAR BOX COVER	4931496132	4058546532697
0053	1	HOOK	4931472309	4058546285265