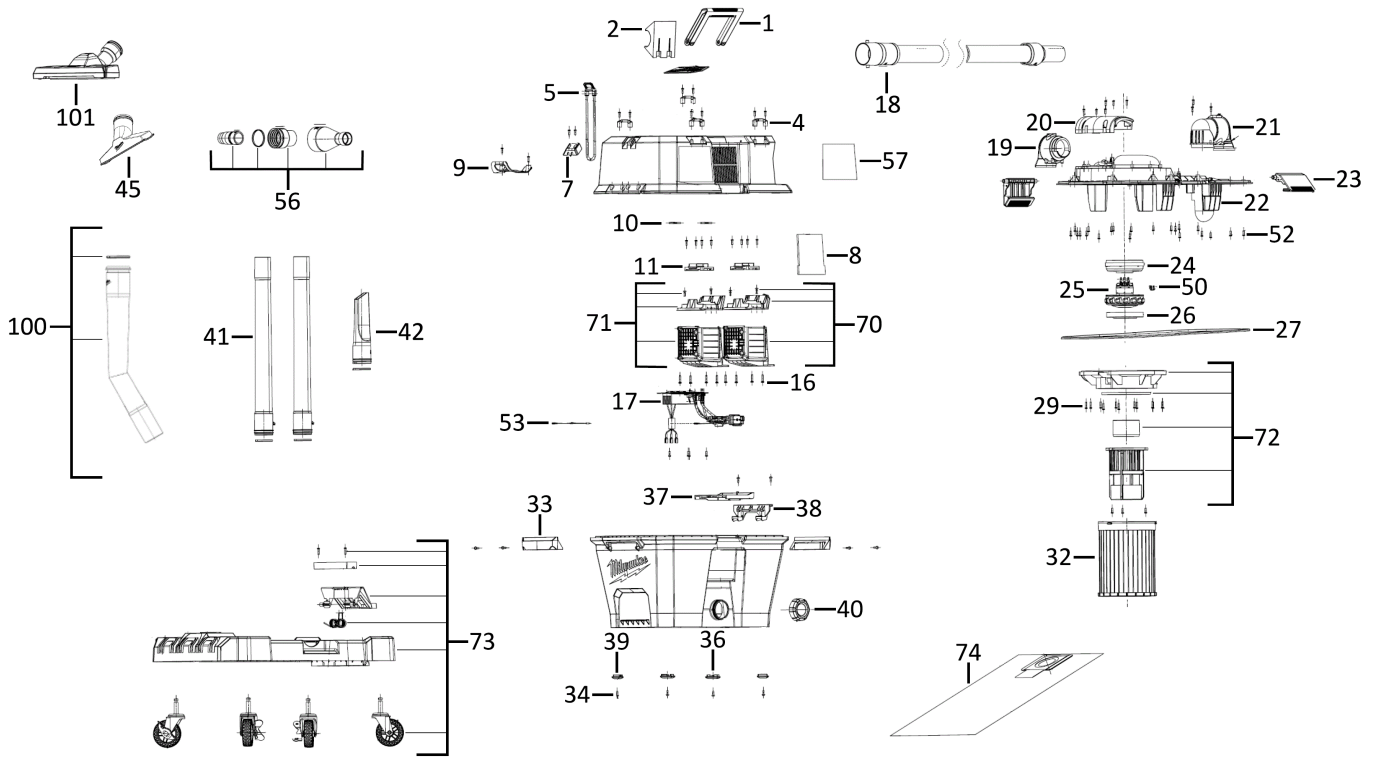


M18F2VC23L-0 VACUUM CLEANER XXX

4933478964 - M18F2VC23L-0 - 4000491085





Position	Quantity	Description	Part number	EAN
0001	1	HANDLE	4931495202	4058546488703
0002	1	CLIP	4931495203	4058546488710
0004	4	HOLDING BRACKET	4931495204	4058546488727
0005	1	STRAP	4931495205	4058546488734
0007	1	HOLDING BRACKET	4931495206	4058546488741
0008	1	FOAM	4931495207	4058546488758
0009	1	HOLDING BRACKET	4931495208	4058546488765
0010	2	PIN	4931495209	4058546488772
0011	2	TERMINAL PLUG	4931495210	4058546488789
0016	8	SCREW	4931495211	4058546488796
0017	1	ELECTRONIC	4931495212	4058546488802
0018	1	HOSE	4931495213	4058546488819
0019	1	CONNECTOR	4931495214	4058546488826
0020	1	COVER	4931495215	4058546488833
0021	1	TUBE	4931495216	4058546488840
0022	1	FRAME	4931495217	4058546488857
0023	2	HOLDER	4931495218	4058546488864
0024	1	ISOLATION	4931495219	4058546488871
0025	1	MOTOR	4931495220	4058546488888
0026	1	ISOLATION	4931495221	4058546488895
0027	1	SEAL	4931495222	4058546488901
0029	12	SCREW	4931495223	4058546488918
0032	1	Dry HEPA Filter replacement	4932479805	4058546375997
0033	2	HANDLE	4931495224	4058546488925
0034	10	SCREW	4931495225	4058546488932
0036	2	FOOT	4931495226	4058546488949
0037	1	HOLDER	4931495227	4058546488956
0038	1	SCREW	4931495228	4058546488963
0039	2	FOOT	4931495229	4058546488970
0040	1	CAP	4931495230	4058546488987
0041	2	GUIDE TUBE	4931495231	4058546488994
0042	1	CREVICE TOOL	4931495232	4058546489007
0045	1	FLOOR TOOL	4931495233	4058546489014
0050	1	CLIP	4931495234	4058546489021
0052	57	SCREW	4931495235	4058546489038
0053	1	STRAP	4931495236	4058546489045
0056	1	ADAPTER	4931495237	4058546489052
0057	1	RATING PLATE	4931495238	4058546489069
0070	1	GUIDE RAIL	4931495239	4058546489076
0071	1	GUIDE RAIL	4931495240	4058546489083
0072	1	FILTER HOLDER	4931495241	4058546489090
0073	1	BRACKET	4931495242	4058546489106
0100	1	HANDLE	4931495243	4058546489113
0101	1	FLOOR TOOL	4931506246	4058546555603
0074	1	Fleece Filter Bag - 5pcs	4932479807	4058546376017