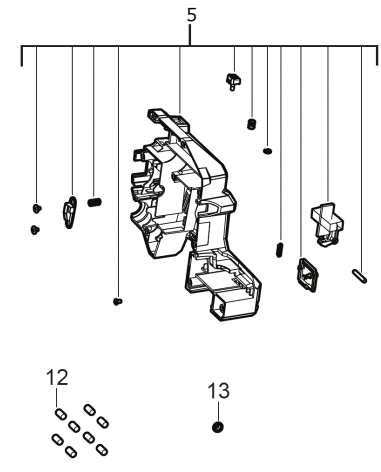
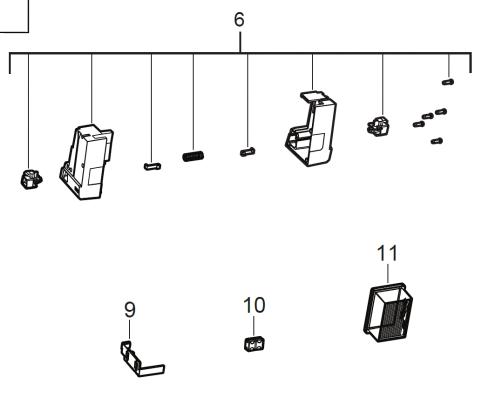
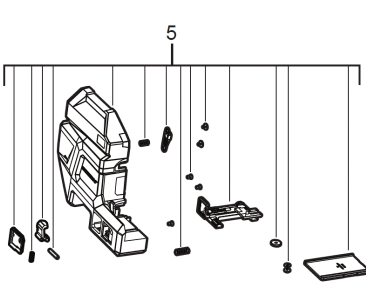
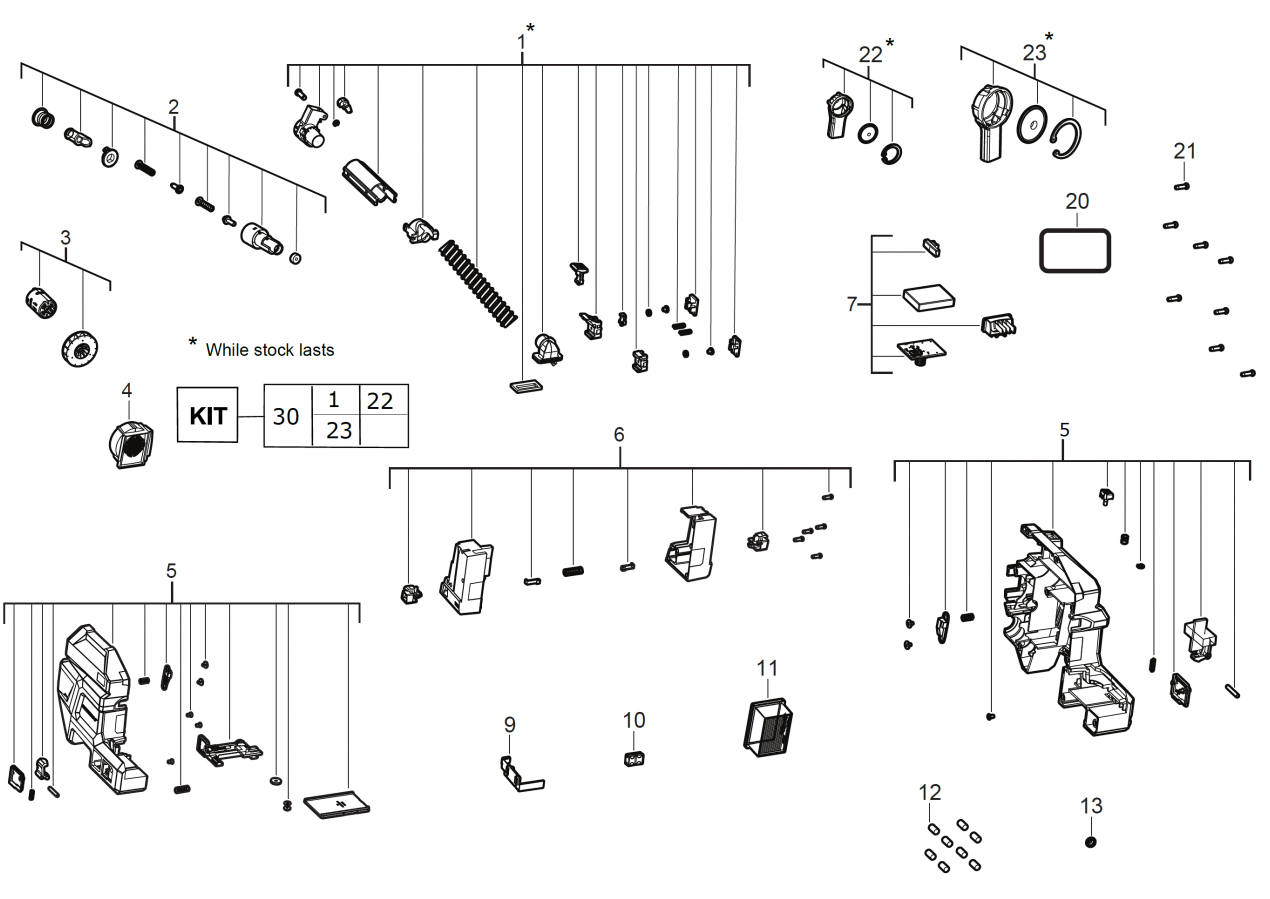


M18FCDDXL-0 COM. DED. EXTRACTION XXX

4933478507 - M18FCDDXL-0 - 4000483628





Position	Quantity	Description	Part number	EAN
0001	1	SUCTION PIPE	5131000000	
0002	1	SLEEVE	4931479963	4058546397265
0003	1	MOTOR ASSEMBLY	4931479964	4058546397272
0004	1	COVER	4931479965	4058546397289
0005	1	HOUSING	5131000000	
0006	1	DUST BOX ASSY	4931479967	4058546397302
0007	1	ELECTRONIC	4931479968	4058546397319
0009	1	HOLDING BRACKET	4931479970	4058546397333
0010	1	RUBBER BUMPER	4931479680	4058546394431
0011	1	M12DE DUST FILTER FILTER - 3PC	49902306	45242299454
0012	1	RUBBER BUFFER	4931479971	4058546397340
0013	1	RUBBER CAP	4931479972	4058546397357
0020	1	RATING PLATE	4931479973	4058546397364
0021	9	SCREW	660570005	4002395827329
0022	1	NOZZLE	5131000000	
0023	1	NOZZLE	5131000000	
0030	1	SET	4931491995	4058546475314