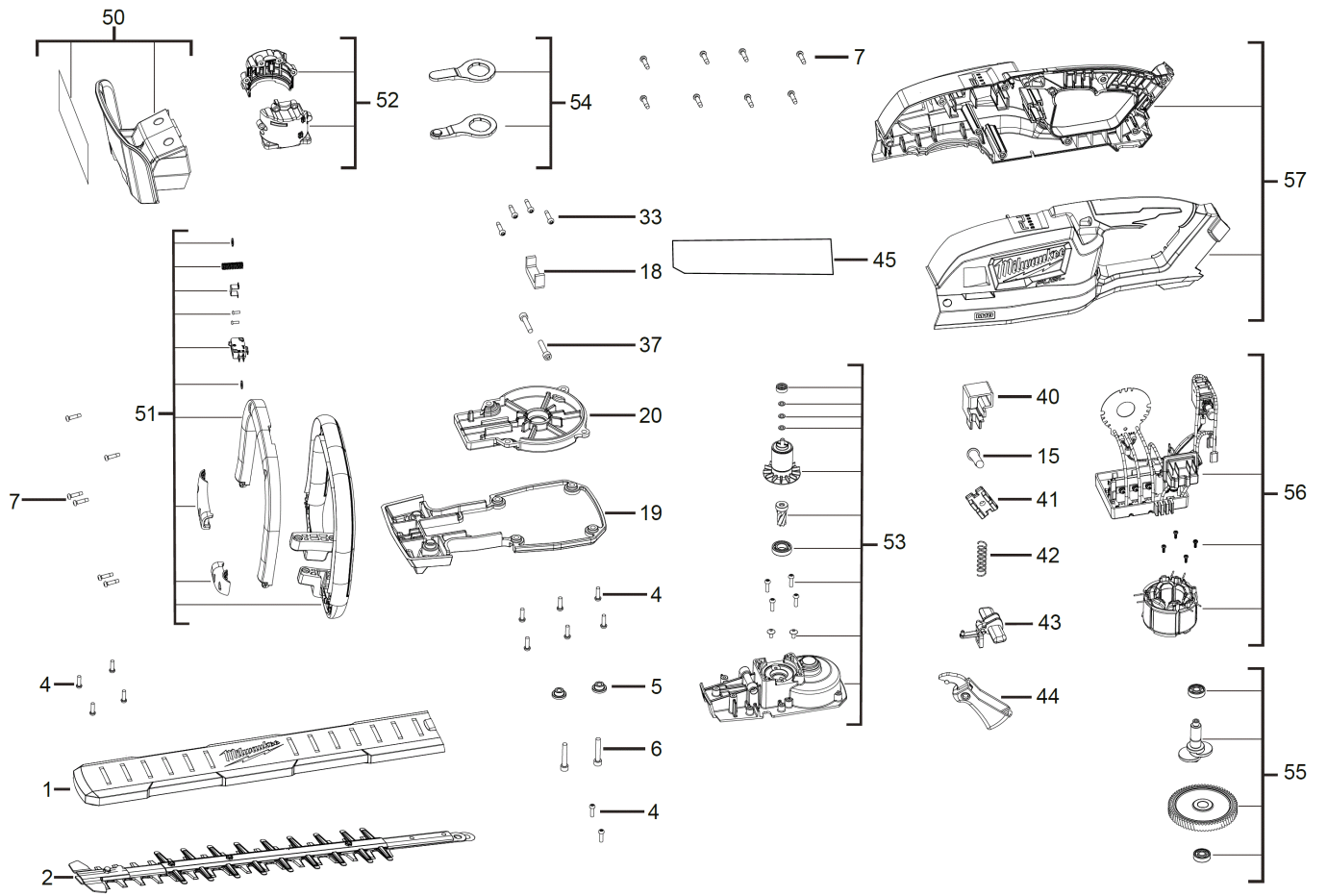


# **M18FHET45-802 HEDGE TRIMMER 45CM IN2**

**4933493294 - M18FHET45-802 - 4000503119**



Position	Quantity	Description	Part number	EAN
0001	1	COVER	4931480283	4058546422981
0002	1	DOUBLE-SIDED BLADE	4931496328	4058546534653
0004	16	SCREW	660414013	4002395823796
0005	2	BUSHING	4931461351	4058546035235
0006	2	SCREW	4931461352	4058546035242
0007	14	SCREW	660024030	4002395826957
0015	1	SCREW	4931461353	4058546035259
0018	1	SEAL	4931461354	4058546035266
0019	1	COVER	4931461355	4058546035273
0020	1	COVER	4931461356	4058546035280
0033	4	SCREW	4931461357	4058546035297
0037	2	SCREW	4931461358	4058546035303
0040	1	COVER PLATE	4931461359	4058546035310
0041	1	COVER PLATE	4931461360	4058546035327
0042	1	SPRING	4931435675	4002395864393
0043	1	PUSH-BUTTON	4931461361	4058546035334
0044	1	TRIGGER	4931461362	4058546035341
0045	1	RATING PLATE	4931496329	4058546534660
0050	1	SAW PROTECTION	4931496330	4058546534677
0051	1	SWITCH LEVER	4931461365	4058546035372
0052	1	MOTOR HOUSING	4931480442	4058546424572
0053	1	ARMATURE	4931461367	4058546035396
0054	1	CONTACT CASE	4931461368	4058546035402
0055	1	CRANK ASSEMBLY	4931461369	4058546035419
0056	1	PRINT.CURIUT SWITCH	4931461370	4058546035426
0057	1	HOUSING	4931461371	4058546035433