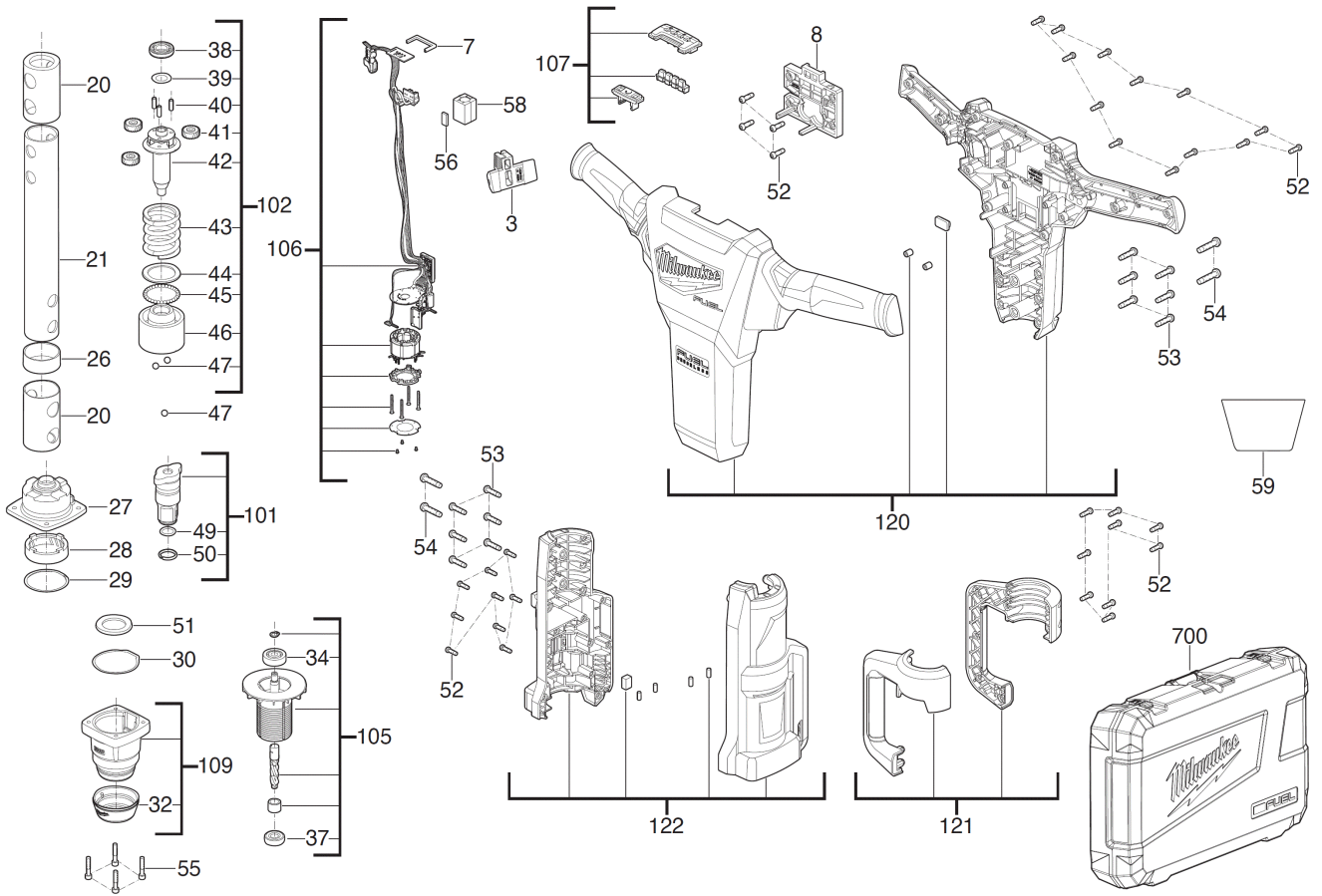


M18 FHIWF1R-122C RAIL IMPACT WRENCH IN2

4933493141 - M18FHIWF1R-122C - 4000497988





Position	Quantity	Description	Part number	EAN
0003	1	SWITCH LEVER	4931496036	4058546531737
0007	1	ISOLATION	4931496037	4058546531744
0008	1	COVER	4931496038	4058546531751
0020	2	RUBBER SLEEVE	4931496039	4058546531768
0021	1	TUBE	4931496040	4058546531775
0026	1	SUPPORTING RING	4931496041	4058546531782
0027	1	GEAR CASE	4931496042	4058546531799
0028	1	INTERN.GEARED WHEEL	4931496043	4058546531805
0029	1	HOLDING RING	4931465319	4058546234195
0030	1	GASKET	4931472118	4058546283353
0032	1	RUBBER FOOT	4931496044	4058546531812
0034	1	BALL BEARING	4931496055	4058546531928
0037	1	BALL BEARING	4931472120	4058546283377
0038	1	BALL BEARING	4931472117	4058546283346
0039	1	BEARING WASHER	4931465317	4058546234171
0040	3	PIN	671565004	4002395825028
0041	3	PLANETARY DRIVE	4931465316	4058546234164
0042	1	CAM SHAFT	4931472116	4058546283339
0043	1	SPRING	4931472114	4058546283315
0044	1	WASHER	4931472113	4058546283308
0045	31	BALL	4931440453	4002395892020
0046	1	HAMMER	4931472112	4058546283292
0047	3	BALL	4931472115	4058546283322
0049	1	O-RING	4931472111	4058546283285
0050	1	PROTECTION WASHER	4931472110	4058546283278
0051	1	RUBBER DISC	4931472109	4058546283261
0052	35	SCREW	4931473361	4058546336639
0053	12	SCREW	4931465543	4058546236434
0054	4	SCREW	4931480405	4058546424206
0055	4	SCREW	4931480449	4058546424640
0056	1	FOAM	4931496045	4058546531829
0058	1	GUARD	4931494988	4058546486563
0059	1	LABEL	4931496046	4058546531836
0101	1	ANVIL	4931472125	4058546283421
0102	1	HAMMER	4931472126	4058546283438
0105	1	ROTOR	4931496047	4058546531843
0106	1	ELECTRONIC	4931496048	4058546531850
0107	1	SWITCH	4931496049	4058546531867
0109	1	GEAR BOX COVER	4931496050	4058546531874
0120	1	HOUSING	4931496051	4058546531881
0121	1	HANDLE	4931496052	4058546531898
0122	1	MOTOR HOUSING	4931496053	4058546531904
0700	1	TOOL BOX	4931496054	4058546531911