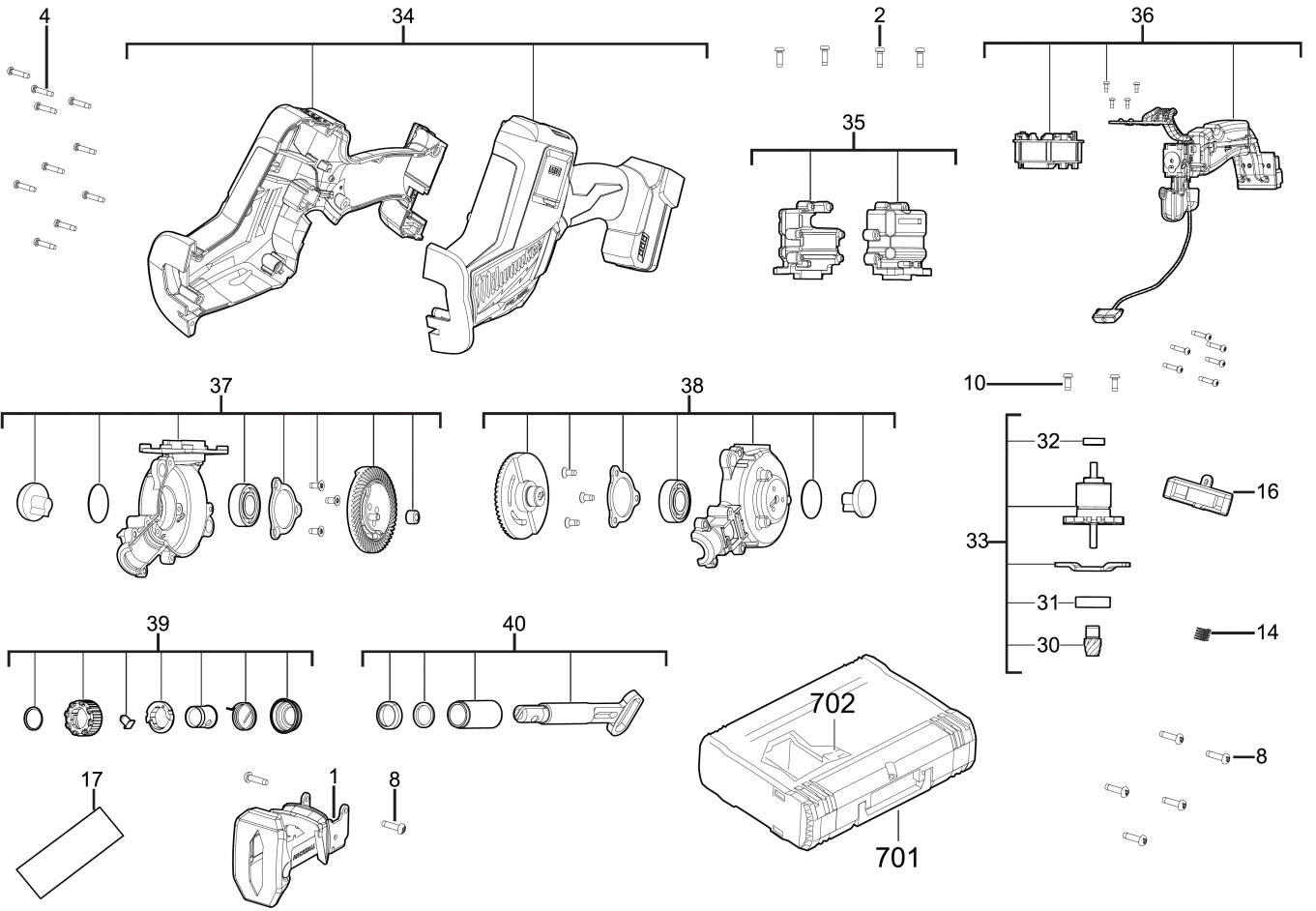


M18FHZ-502X M18 FUEL HACKZALL IN2

4933459885 - M18FHZ-502X - 4000481262





| Position | Quantity | Description | Part number | EAN |
|----------|----------|-------------------------------------|-------------|---------------|
| | 1 | PART NOT DEATAILED | 1000063920 | |
| 0001 | 1 | DISTANCE HOLDER | 4931465208 | 4058546233082 |
| 0002 | 4 | SCREW | 660165011 | 4002395903702 |
| 0004 | 10 | SCREW | 660031017 | 4002395825189 |
| 0008 | 7 | SCREW | 661113008 | 4002395830077 |
| 0010 | 2 | SCREW | 660165015 | 4002395849826 |
| 0014 | 1 | PRESSURE SPRING | 4931408243 | 4002395814466 |
| 0016 | 1 | SWITCH LEVER | 4931465209 | 4058546233099 |
| 0017 | 1 | RATING PLATE | 4931480413 | 4058546424282 |
| 0030 | 1 | BEVEL GEAR | 4931465211 | 4058546233112 |
| 0031 | 1 | BALL BEARING | 4931465212 | 4058546233129 |
| 0032 | 1 | BALL BEARING | 681286001 | 4002395824014 |
| 0033 | 1 | MOTOR ASSEMBLY | 4931480414 | 4058546424299 |
| 0034 | 1 | HOUSING | 4931465214 | 4058546233143 |
| 0035 | 1 | HOUSING SET ASSY | 4931465215 | 4058546233150 |
| 0036 | 1 | ELECTRONIC SWITCH | 4931465216 | 4058546233167 |
| 0037 | 1 | GEAR BOX HOUSING | 4931480415 | 4058546424305 |
| 0038 | 1 | GEAR BOX HOUSING | 4931480416 | 4058546424312 |
| 0039 | 1 | FIXTEC-SET QUIK-LOK BLADE CLAMP KIT | 14461011 | 4058546069568 |
| 0040 | 1 | RAM SET | 4931465220 | 4058546233204 |
| 0702 | 1 | INSERT | 4931465221 | 4058546233211 |
| 0701 | 1 | HD Box 1 - 1pc | 4932453385 | 4002395146376 |