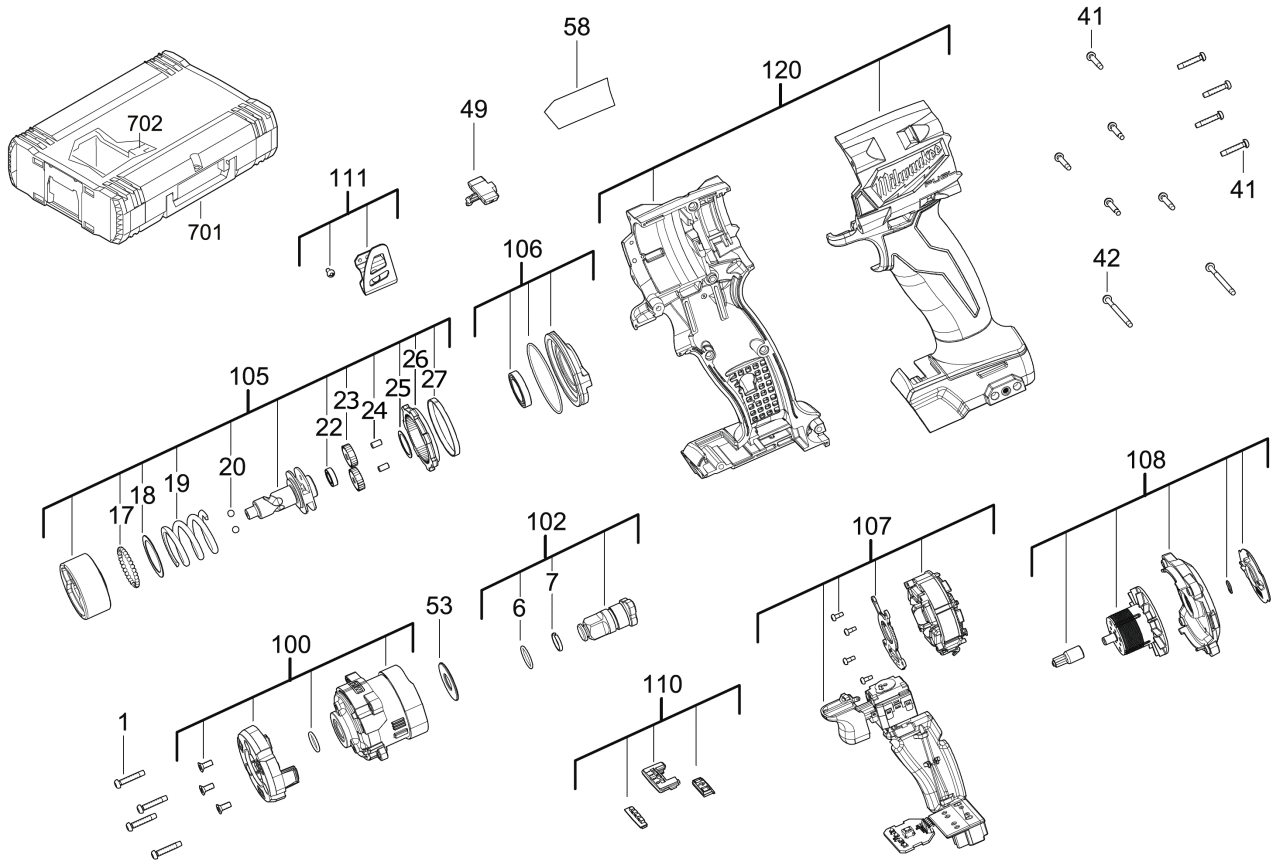


M18FIW2F38-502X COMPACT IMP. WRENCH GB2

4933478652 - M18FIW2F38-502X - 4000477855





Position	Quantity	Description	Part number	EAN
0001	4	SCREW	4931473725	4058546356019
0006	1	RING	4931435756	4002395866137
0007	1	O-RING	4931435755	4002395866120
0017	31	BALL	4931440309	4002395892013
0018	1	WASHER	4931473541	4058546354176
0019	1	SPRING	4931473542	4058546354183
0020	2	BALL	4931440453	4002395892020
0022	1	BALL BEARING	4931465819	4058546239190
0023	2	PLANET GEAR	4931495798	4058546494667
0024	2	PIN	4931495799	4058546494674
0025	1	WASHER	4931452053	4002395180189
0026	1	GEAR	4931495800	4058546494681
0027	1	RING	4931495801	4058546494698
0041	9	SCREW	4931465499	4058546235994
0042	2	SCREW	4931454852	4058546020262
0049	1	SLIDER	4931473544	4058546354206
0053	1	WASHER	4931465780	4058546238803
0058	1	RATING PLATE	4931473726	4058546356026
0100	1	GEAR BOX ASSY	4931473727	4058546356033
0102	1	ANVIL	4931473728	4058546356040
0105	1	GEAR KIT	4931473549	4058546354251
0106	1	GEAR BOX COVER	4931473550	4058546354268
0107	1	ELECTRONIC	4931473551	4058546354275
0108	1	ROTOR	4931473552	4058546354282
0110	1	SPEED CONTROL	4931473553	4058546354299
0111	1	BELT CLIP	4931465831	4058546239312
0120	1	HOUSING	4931473554	4058546354305
0702	1	INSERT	4931473555	4058546354312
0701	1	HD Box 1 - 1pc	4932453385	4002395146376