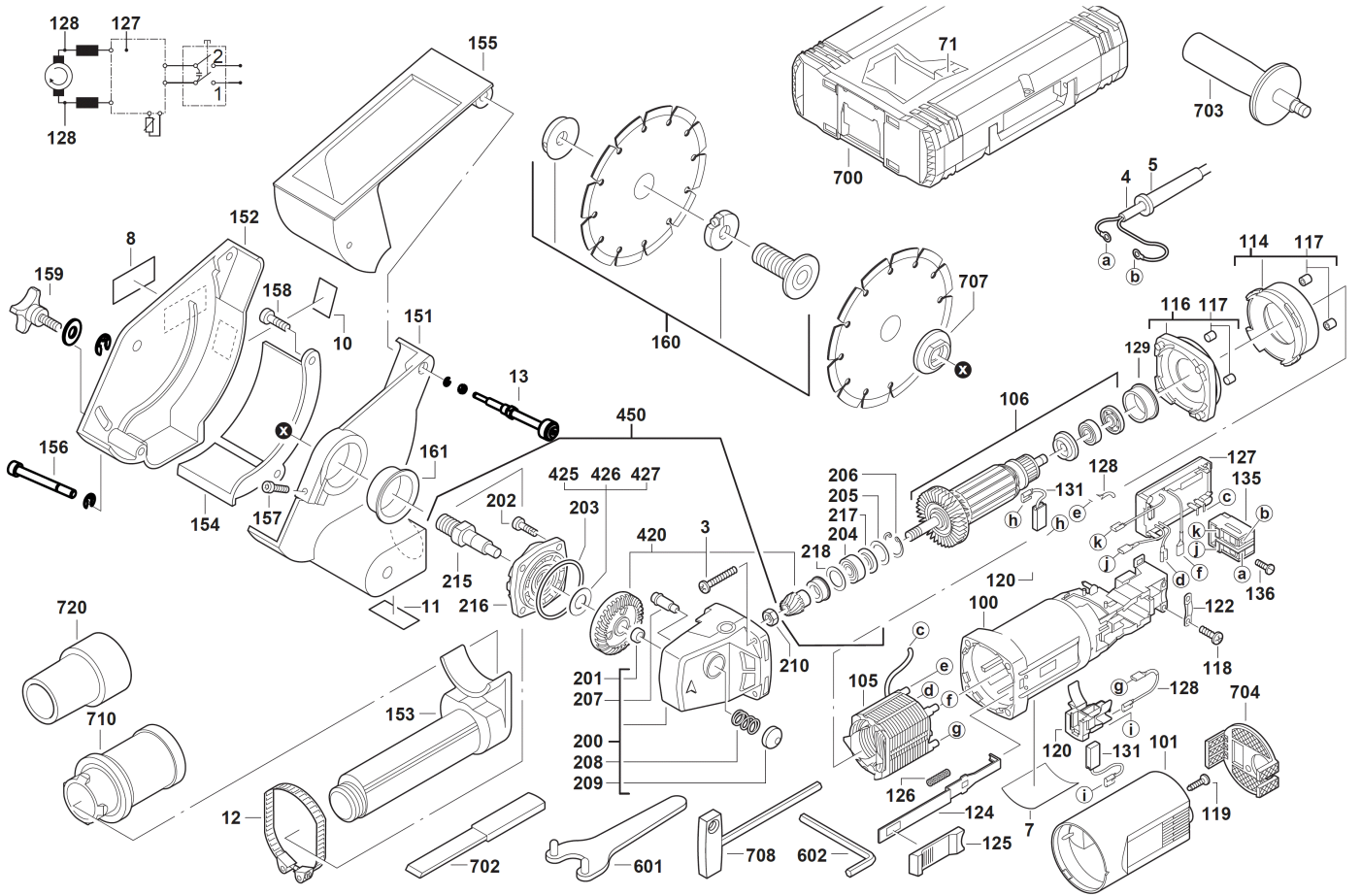


WCE30 240V WALL CHASER IN2

4933383855 - WCE30 - 4000383856





Position	Quantity	Description	Part number	EAN
0003	4	SCREW D 7981 3,9X32	4931621515	4002395695508
0004	1	CONNECTION CABLE	4931623861	4002395704293
0005	1	CABLE ENTRY SLEEVE	4931218785	4002395583805
0007	1	RATING PLATE	4931476737	4058546391843
0008	1	NAME PLATE	4931383017	4002395692286
0010	1	DATA PLATE	4931334659	4002395616305
0011	1	DATA PLATE	4931334660	4002395616312
0012	1	LATCH PLATE	4931334664	4002395616329
0013	1	THREADED PIN	4931463109	4058546243500
0071	1	INSERT	4931378697	4002395684427
0100	1	HOUSING SET ASSY	4931449153	4002395151943
0101	1	HOUSING CAP	4931407395	4002395790852
0105	1	ELECTRIC FIELD	4931426582	4002395845101
0106	1	ARMATURE	4931426545	4002395846245
0114	1	Not available for this version	1000000003	
0116	1	INTERMEDIATE FLANGE	4931369787	4002395674190
0117	2	HOLDING-DOWN DEVICE	4931409768	4002395847617
0118	2	SCREW	4931624538	4002395760039
0119	1	SCREW D 7985 M 4X16	4931619914	4002395695225
0120	2	BRUSH HOLDER	4931326923	4002395607778
0122	1	CABLE COLLAR	4931256500	4002395586547
0124	1	GUIDE PIECE	4931326959	4002395607877
0125	1	SLIDER	4931455746	4002395176694
0126	1	PRESSURE SPRING	4931326981	4002395607945
0127	1	ELECTRONIC ELEMENT	4931362699	4002395661398
0128	2	WIRE	4931623738	4002395703692
0129	1	BEARING SLEEVE	4931326953	4002395607846
0131	1	CARBON BRUSH SET	4931369477	4002395673476
0135	1	SWITCH	4931326976	4002395607938
0136	2	SCREW D 85 AM 3,5X5	4931617313	4002395694761
0151	1	SUCTION CAP	4931476185	4058546342715
0152	1	GUARD CAP	4931476110	4058546342500
0153	1	CONNECTION	4931476118	4058546388850
0154	1	AIR DEFLECTOR RING	4931334711	4002395616367
0155	1	ALTITUDE ADJUSTMENT	4931476113	4058546342531
0156	1	SCREW	4931449441	4002395258628
0157	1	SCREW	4931622928	4002395699735
0158	2	SCREW D 912 M 4X8 GAL	4931617290	4002395694747
0159	1	GRIP	4931449442	4002395258635
0160	1	TENSIONING DEVICE	4931449155	4002395258185
0161	1	ISOLATION SLAFE	4931362742	4002395661473
0200	1	GEAR BOX	4931412193	4002395798919
0201	1	SLEEVE N874989 HKO 0810	4931912093	4002395706464
0202	4	SCREW	4931317532	4002395600175
0203	1	COMPENSATING WASHER	4931254894	4002395586448
0204	1	GROOVED BALL BEAR.	4931368037	4002395670642
0205	1	DISC	4931622761	4002395699056
0206	1	LOCKING RING	4931616614	4002395694624
0207	1	LOCKING BOLT	4931326929	4002395607785
0208	1	PRESSURE SPRING	4931326942	4002395607822

Position	Quantité	Désignation	Référence	EAN
0209	1	PUSH-BUTTON	4931326930	4002395607792
0210	1	NUT	4931326952	4002395607839
0215	1	SPINDLE	4931409809	4002395838691
0216	1	BEARING END PLATE	4931385801	4002395720705
0217	1	WASHER	4931624287	4002395732098
0218	1	WASHER	4931362085	4002395660254
0420	1	BEVEL GEAR PAIR	4931369887	4002395674398
0425	1	DISC N874237 12,2X22X0,1	4931808473	4002395727544
0426	1	DISC N874237 12,2X22X0,2	4931925940	4002395706624
0427	1	DISC	4931624256	4002395723379
0450	1	DRIVE GEAR	4931391477	4002395735891
0602	1	SCREW DRIVER	4931606753	4002395693757
0707	1	CLAMPING FLANGE	4931348960	4002395773084
0708	1	T-SPANNER	4931362928	4002395661879
0720	1	NOSEPIECE	4931419658	4002395840359
0601	1	PIN SPANNER 115-230/WP/WSAP1 A/M	4932367712	4002395338467
0700	1	CARRYING CASE SIZE2 MET	4932383162	4002395349463
0702	1	BREAK-OUT CHISEL DME P1 AEG	5131000000	
0703	1	HANDLE	4932409546	4002395370870
0704	1	DUST PROTEC. GRILLE WS125-150 P1 AEG	4932329397	4002395303892
0710	1	ADAPTER DME P1 AEG	4932362778	4002395334285